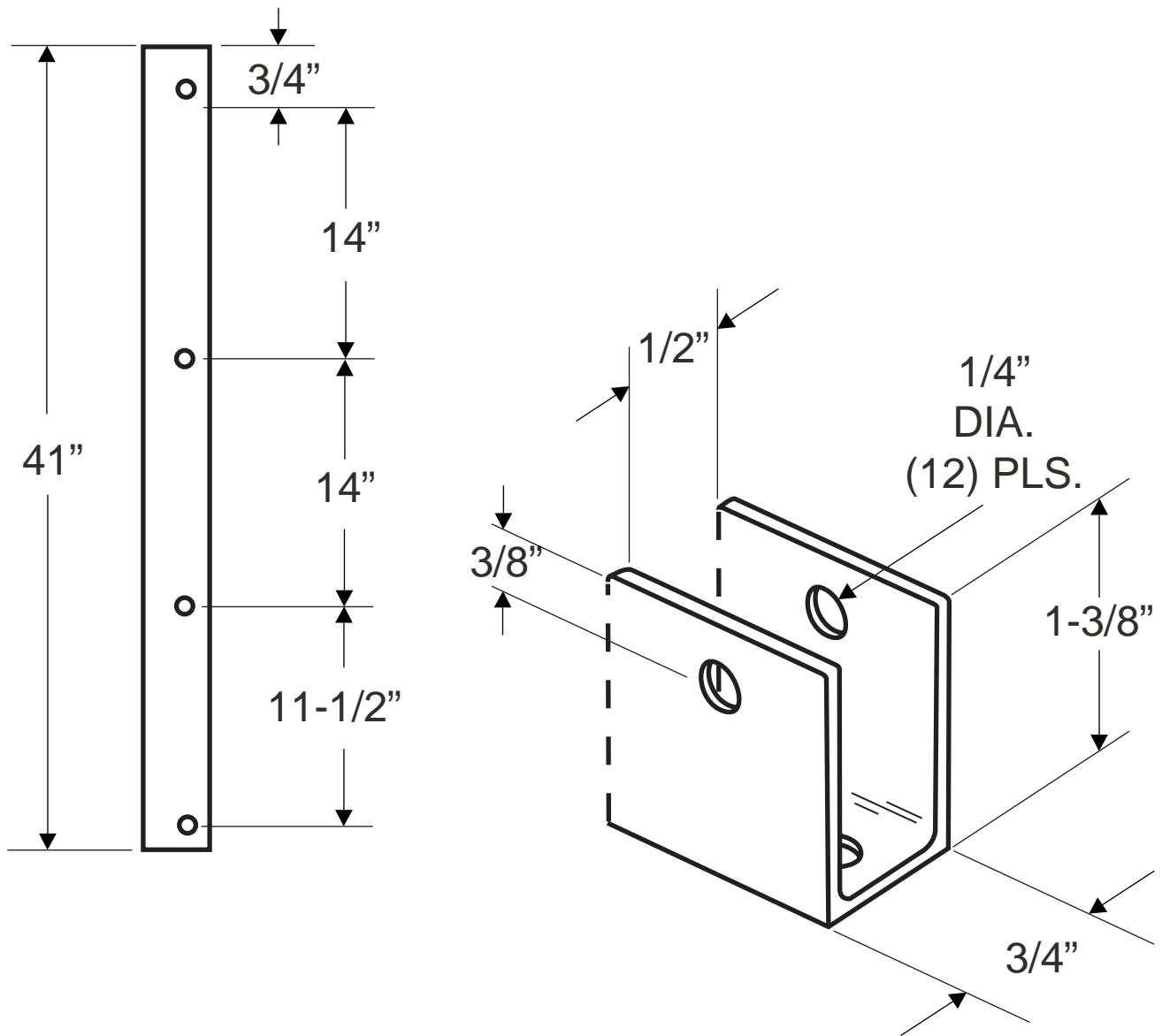


2034
(U-BRACKET 1/2" x 41")



NOTE: ALL WALL THICKNESS AT 1/8"
FIVE HOLES IN BASE