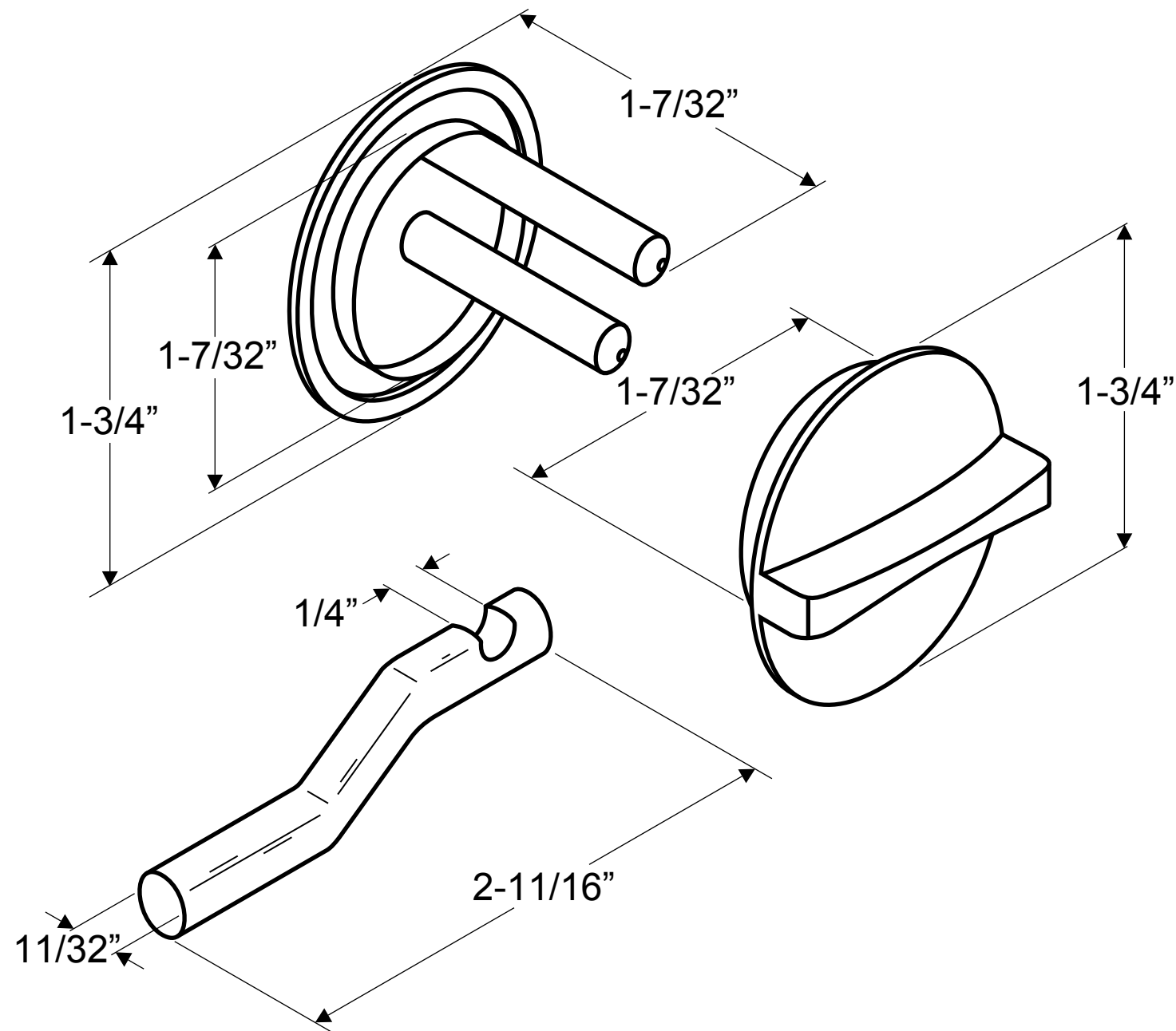
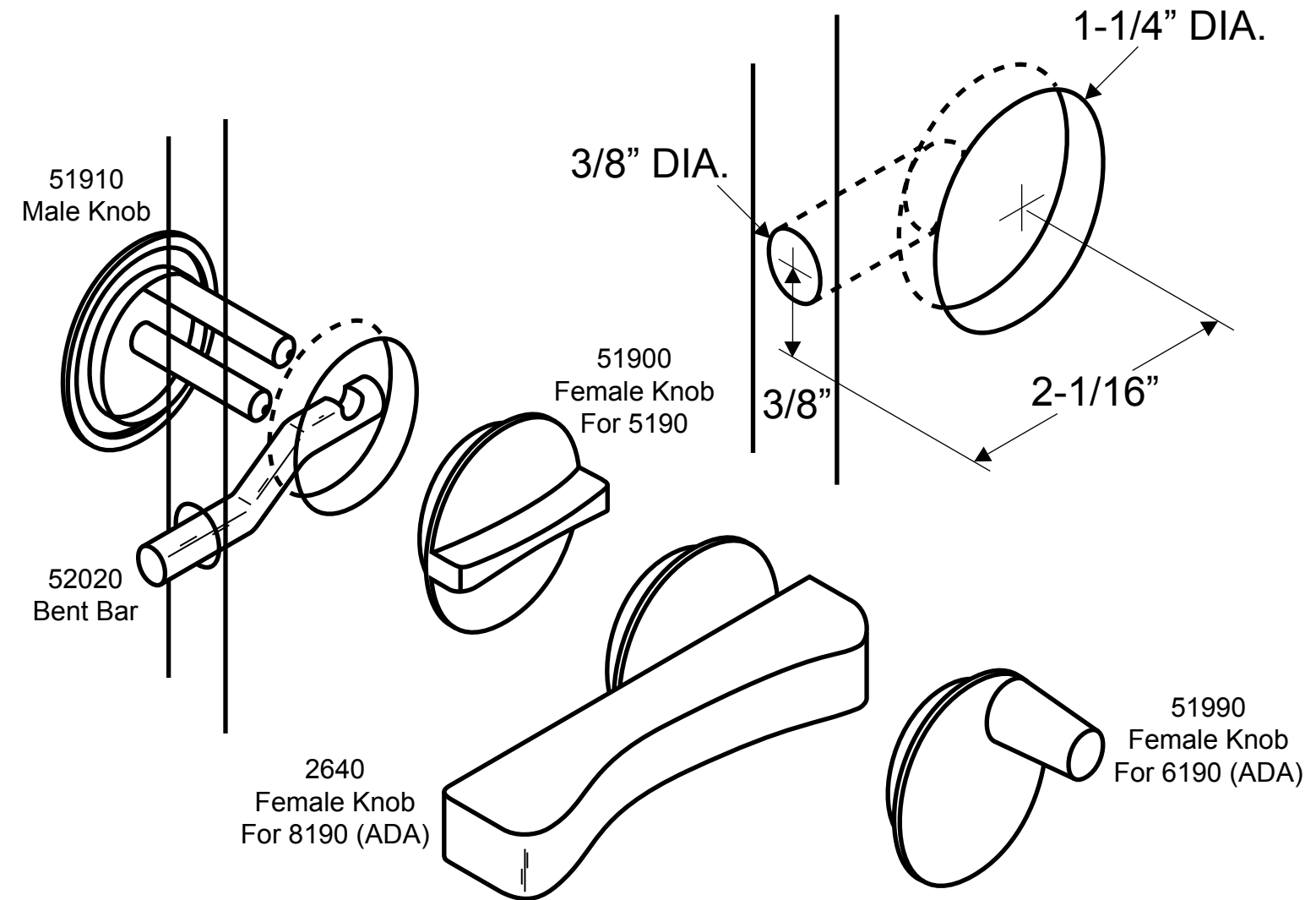


**5190  
(CONCEALED LATCH)**



**INSTRUCTIONS FOR INSTALLING  
5190, 6190, 8190 CONCEALED LATCHES**



- 1. Insert bar through edge of door - notched end first.**
- 2. Insert male knob in door, engage upper pin of knob into notch of straight pin.**
- 3. Insert female knob - engage both pins of male knob, hold one knob and apply pressure to the other to engage retainer ring.**

**REMOVAL - To remove latch, drill  $3/8\text{''}$  diameter hole through center of female knob  $5/8\text{''}$  deep. Pull knob set apart.**