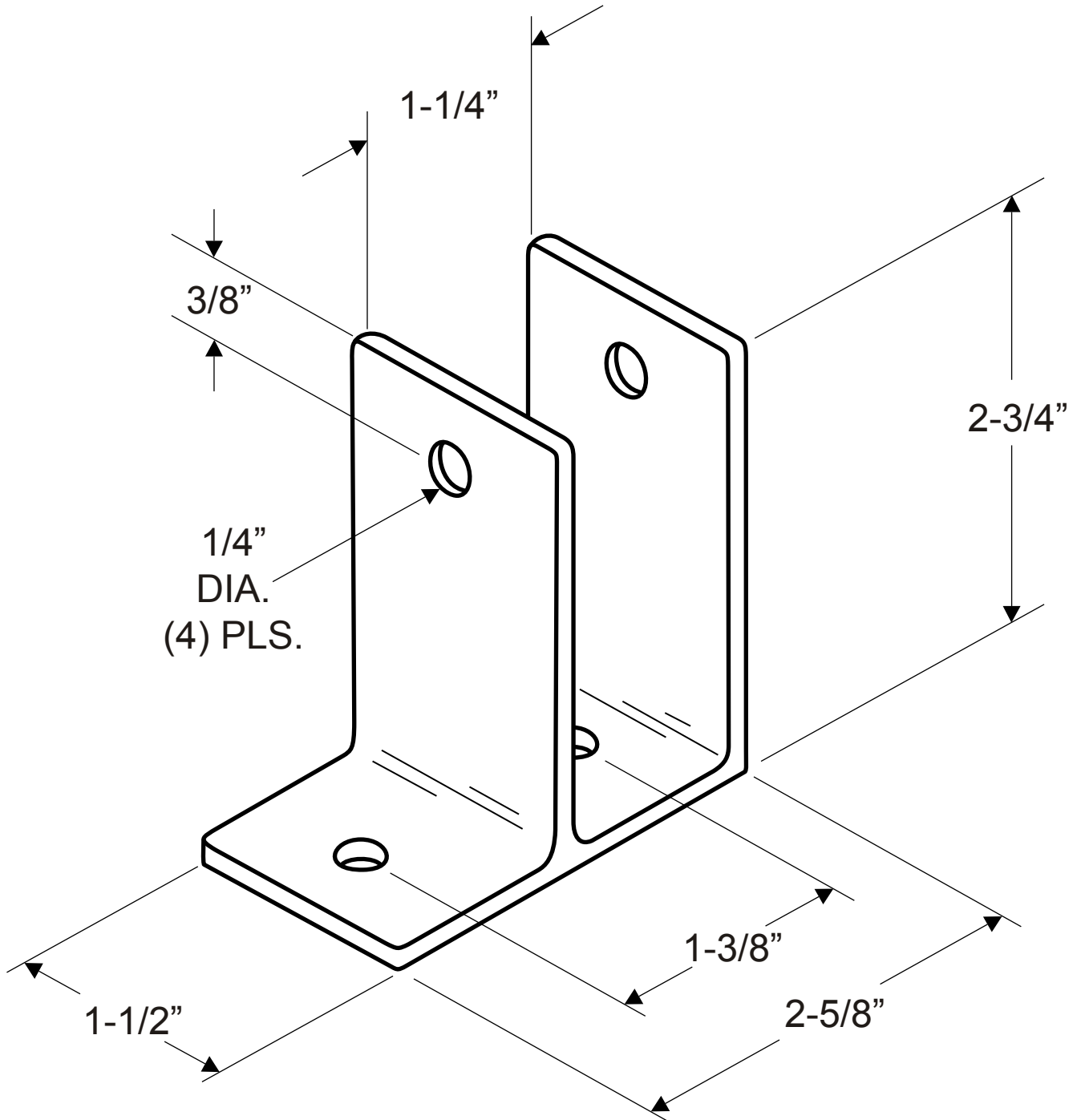


1844
(WALL BRACKET - ONE EAR 1-1/4")



NOTE: ALL WALL THICKNESS AT 1/8"