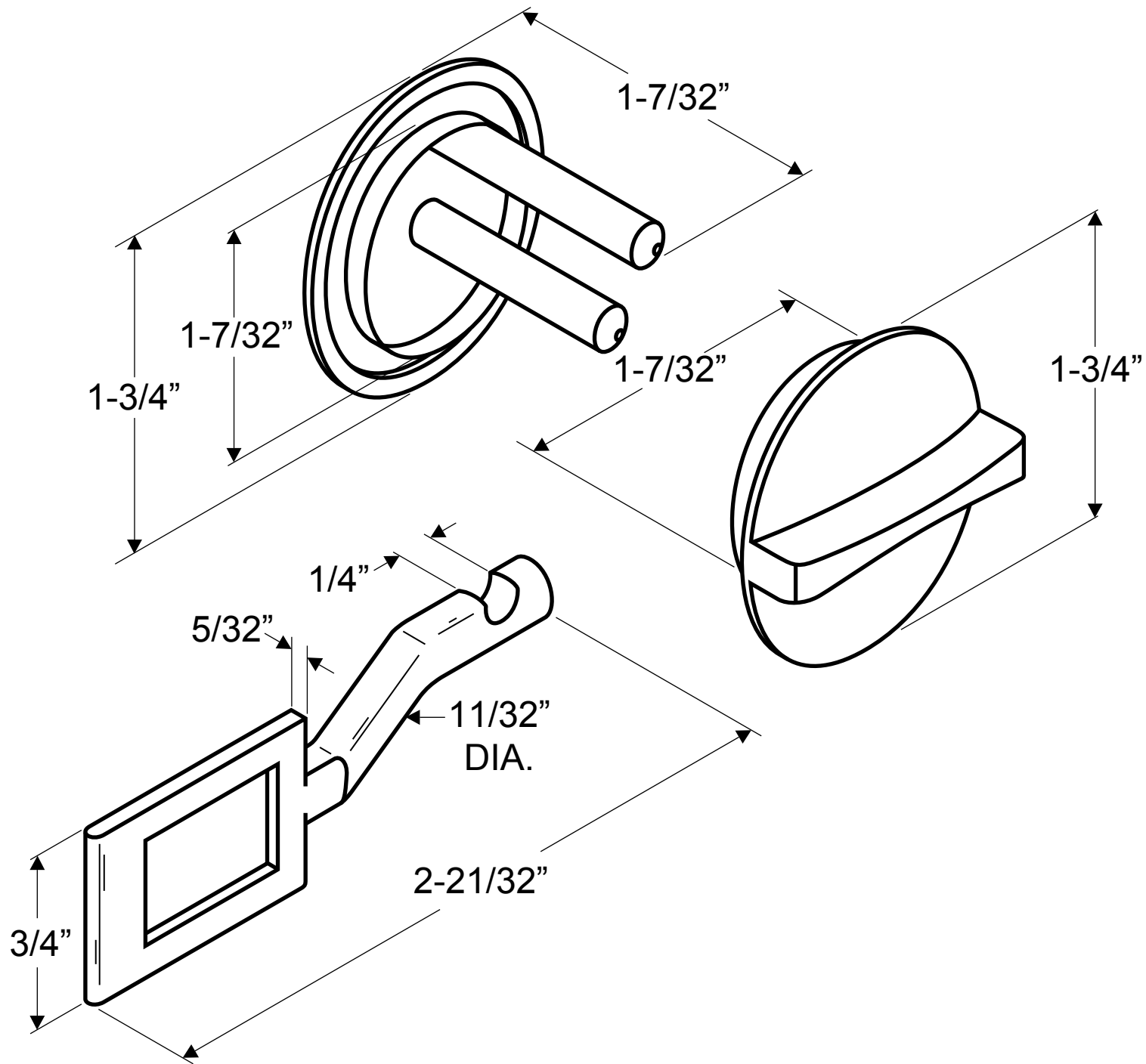
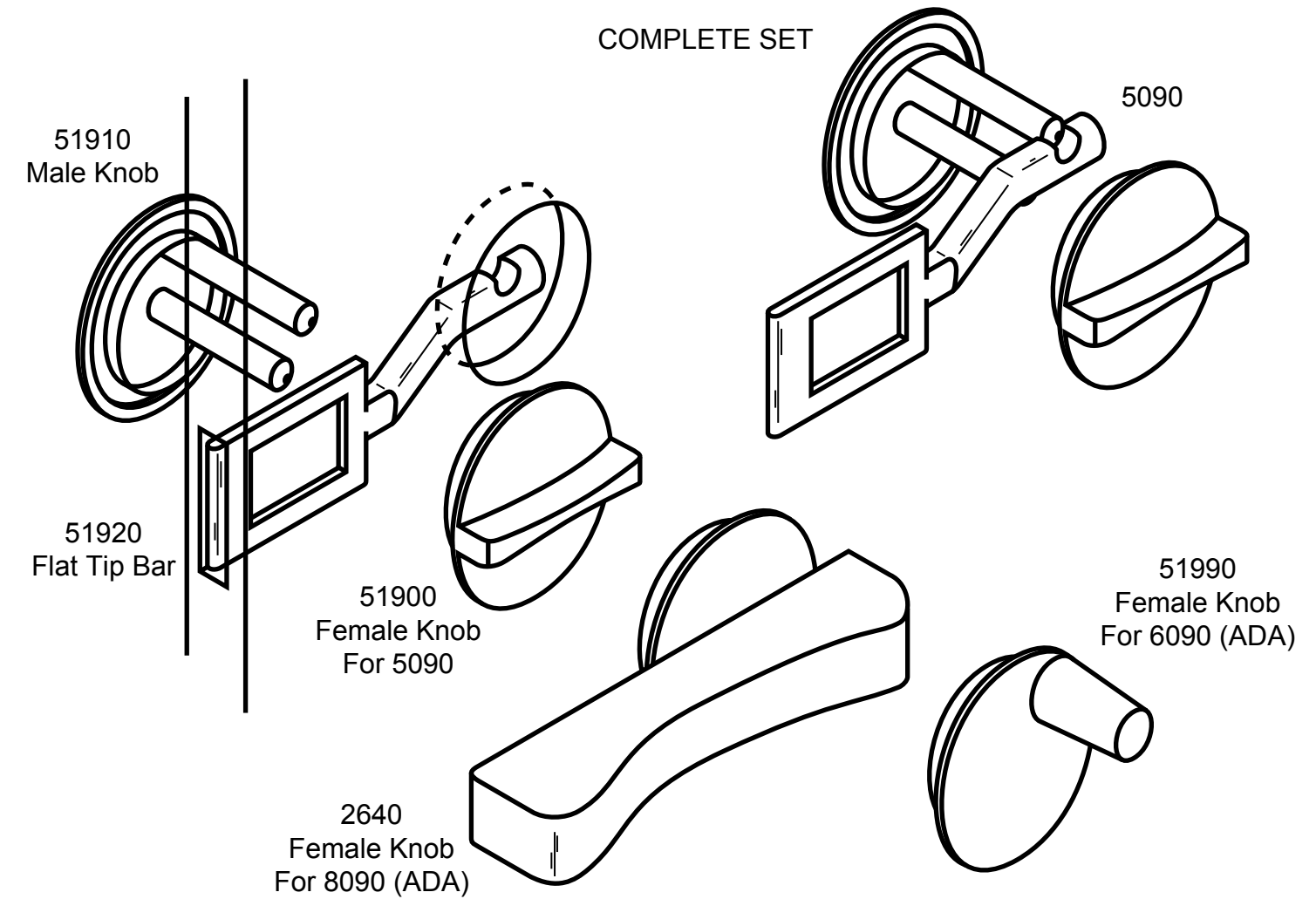


**5090  
(CONCEALED LATCH)**



**INSTRUCTIONS FOR INSTALLING  
5090, 6090, 8090 CONCEALED LATCHES**



1. Insert bar through circular opening on door (flat end first) and then through slot on side.
2. Insert male knob in door, engage upper pin of knob into notch of flat tip pin.
3. Insert female knob - engage both pins of male knob, hold one knob and apply pressure to the other to engage retainer ring.

**REMOVAL - To remove latch, drill  $3/8\text{''}$  diameter hole through center of female knob  $5/8\text{''}$  deep. Pull knob set apart.**