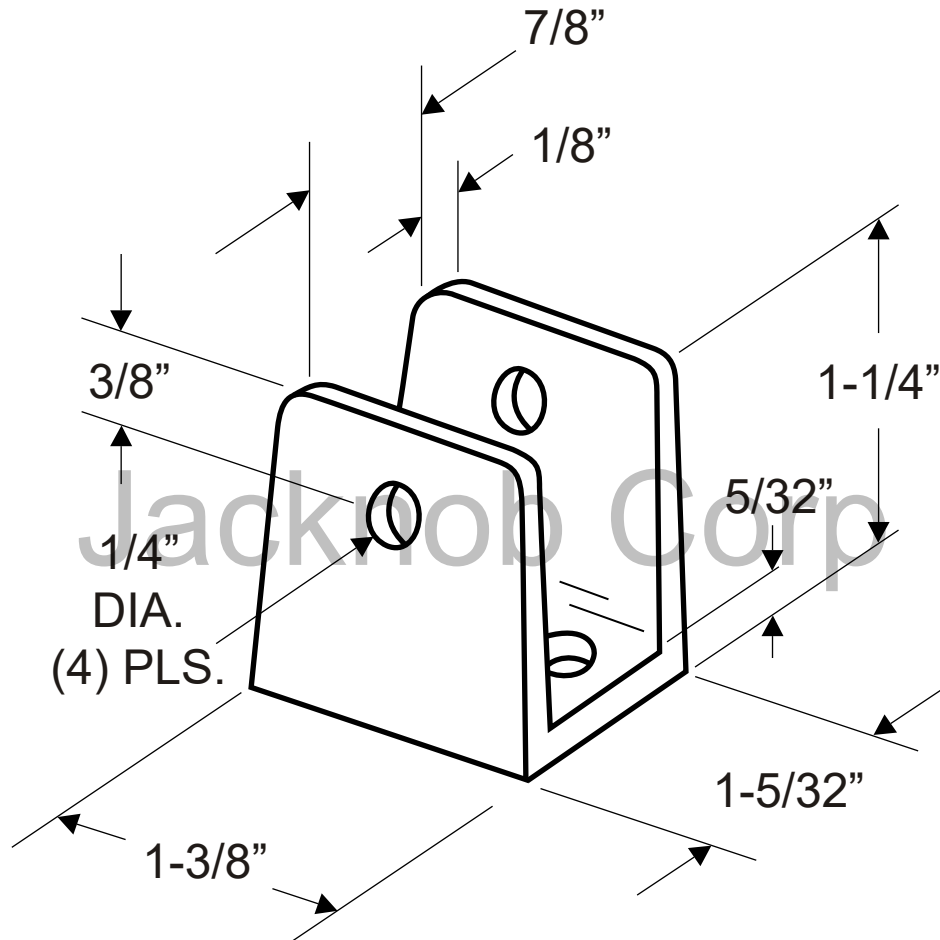


**1903
(U-BRACKET 7/8")**



NOTE: TWO HOLES IN BASE