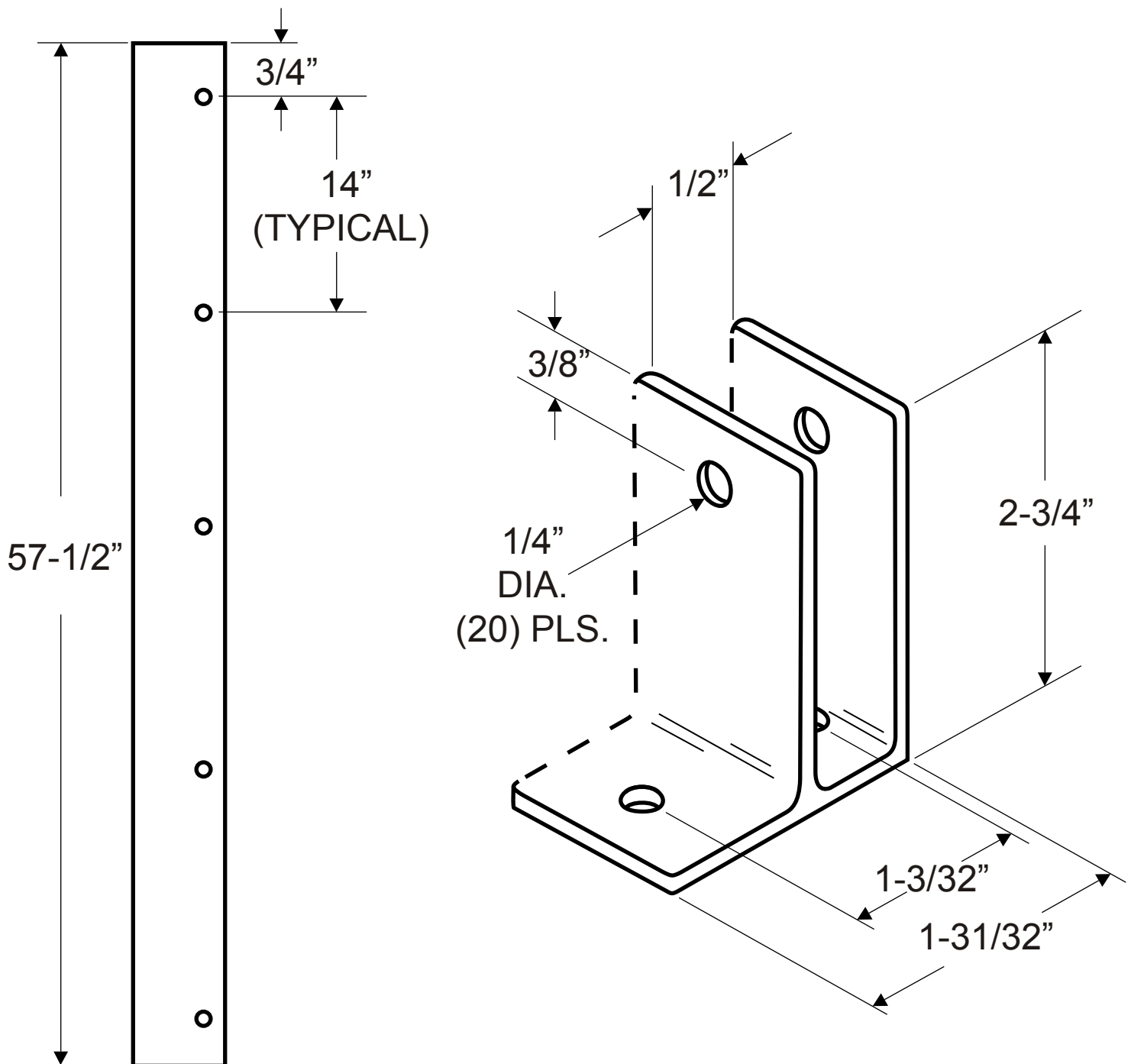


4394
(WALL BRACKET - ONE EAR 1/2"x57-1/2")



NOTE: ALL WALL THICKNESS AT 1/8"