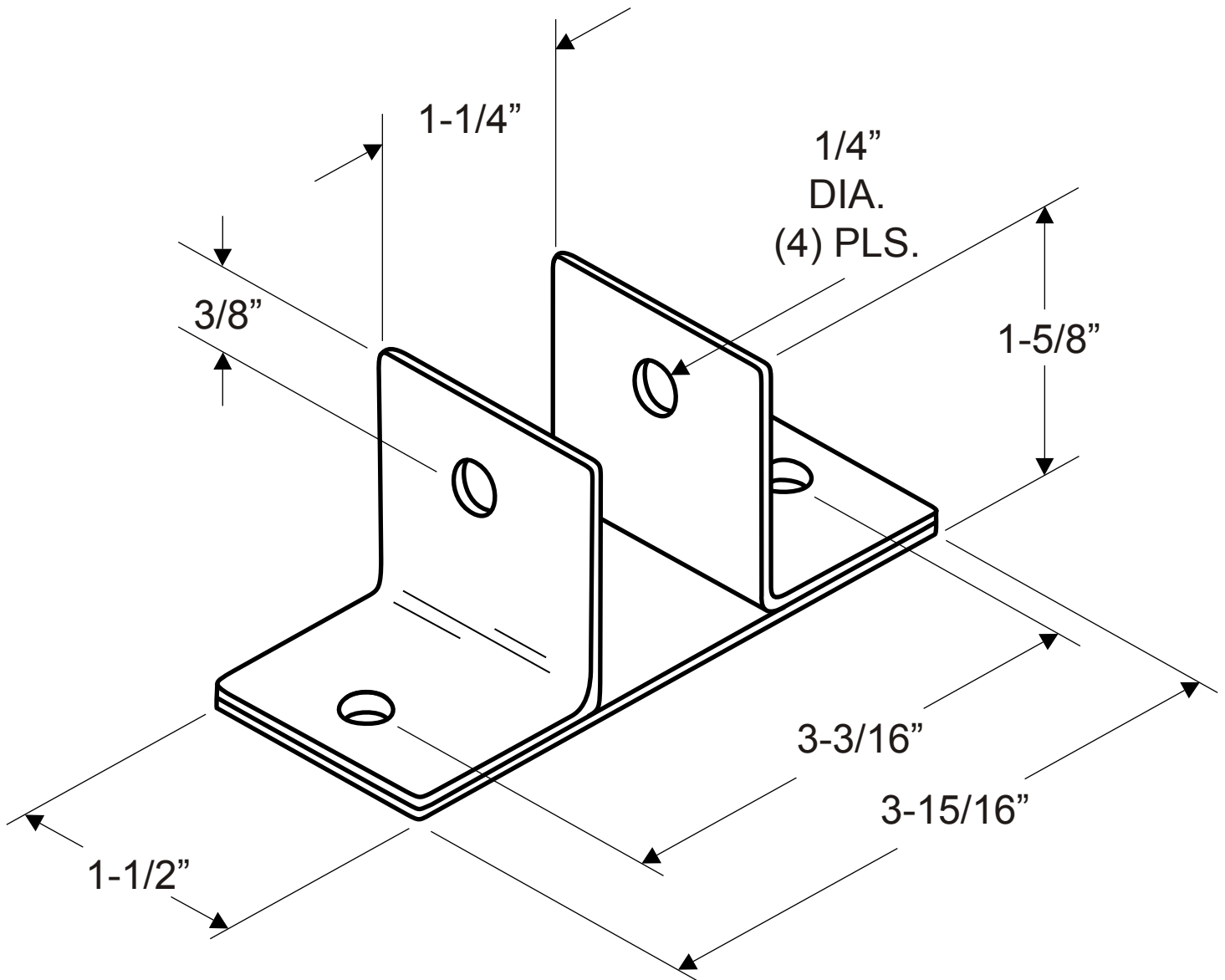


1819
(WALL BRACKET - TWO EAR MINI 1-1/4")



NOTE: 14 GAUGE (.075" THICK STAINLESS)