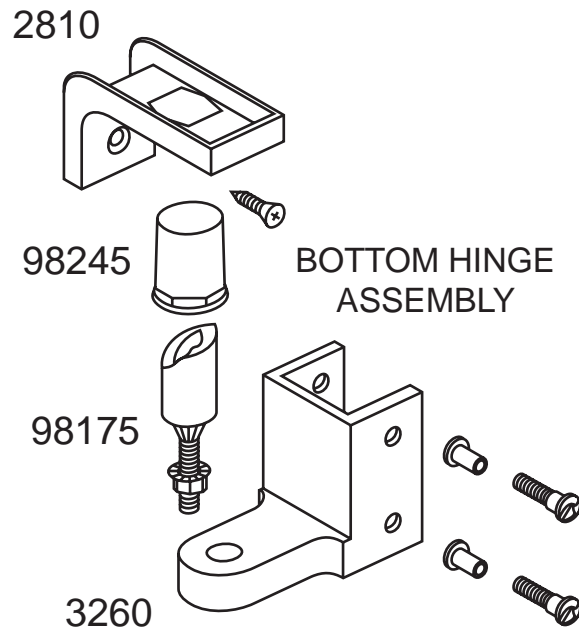
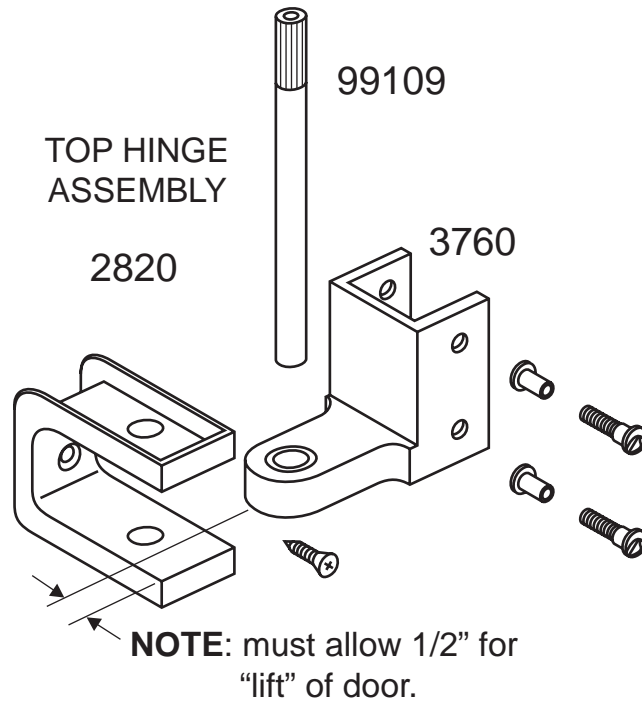


INSTRUCTIONS FOR INSTALLING 63150, 63153 DOOR HARDWARE REPLACEMENT PACK



WARNING:

- The limit of swing of this hardware is 110 degrees. This hardware should not be used on outswinging doors where there is no provision to stop the swing of the door at 110 degrees. After installation of the door, check to make sure that the door is stopped by a wall or other positive stop (such as a Jacknob pilaster door stop [# 4151]) before contact is made between the hinge brackets and the door escutcheons.

- The # 99109 hinge pin must fit tightly (a "press" fit) to prevent "walking out".

- Failure to heed the above warnings can result in failure of the door and serious injury to patrons.

