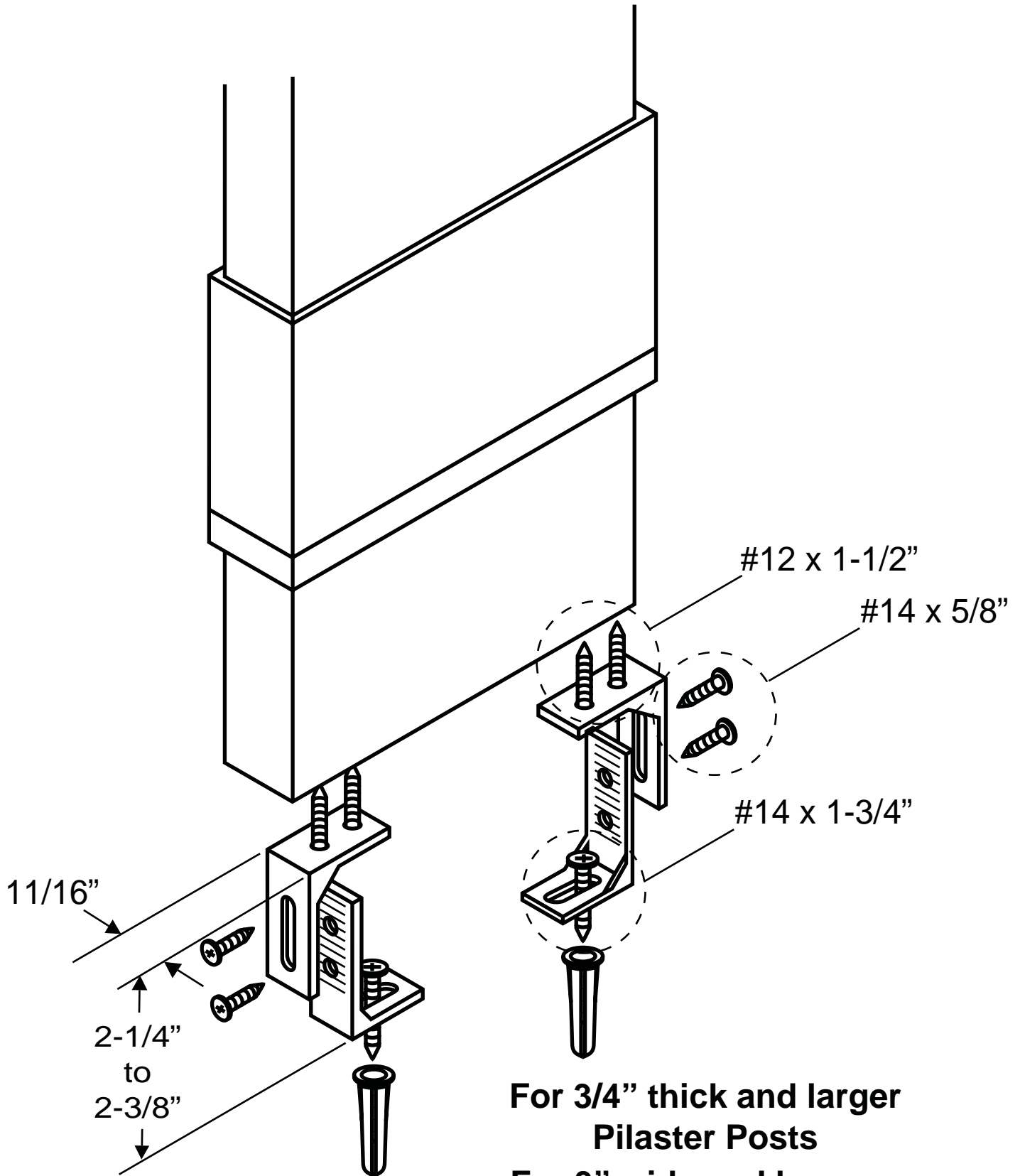


INSTRUCTIONS FOR INSTALLING 31056 ANCHORING PACK



**For 3/4" thick and larger
Pilaster Posts
For 3" wide and larger
Pilaster Posts**

