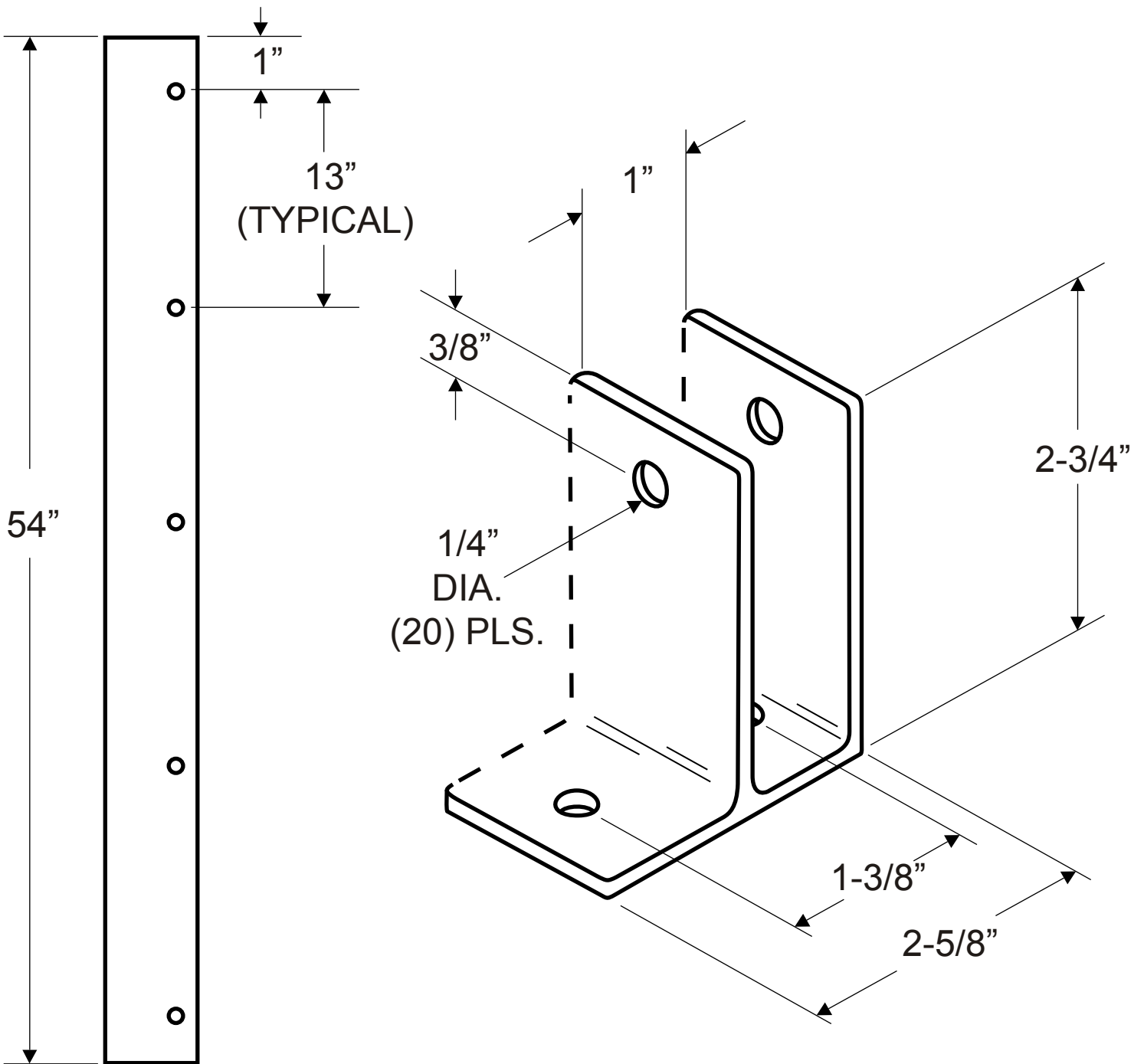


2878
(WALL BRACKET - ONE EAR 1"x54")



NOTE: ALL WALL THICKNESS AT 1/8"